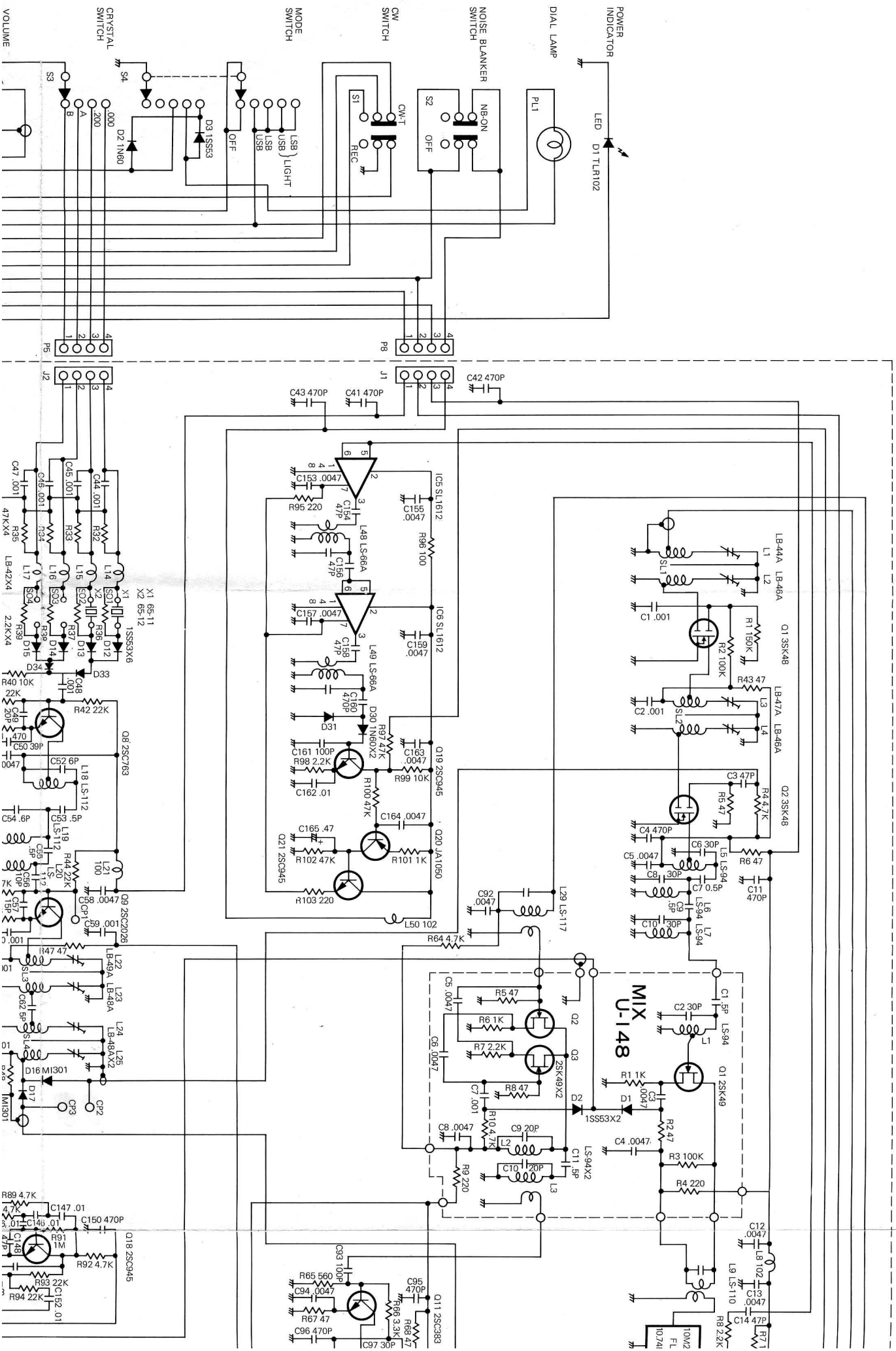
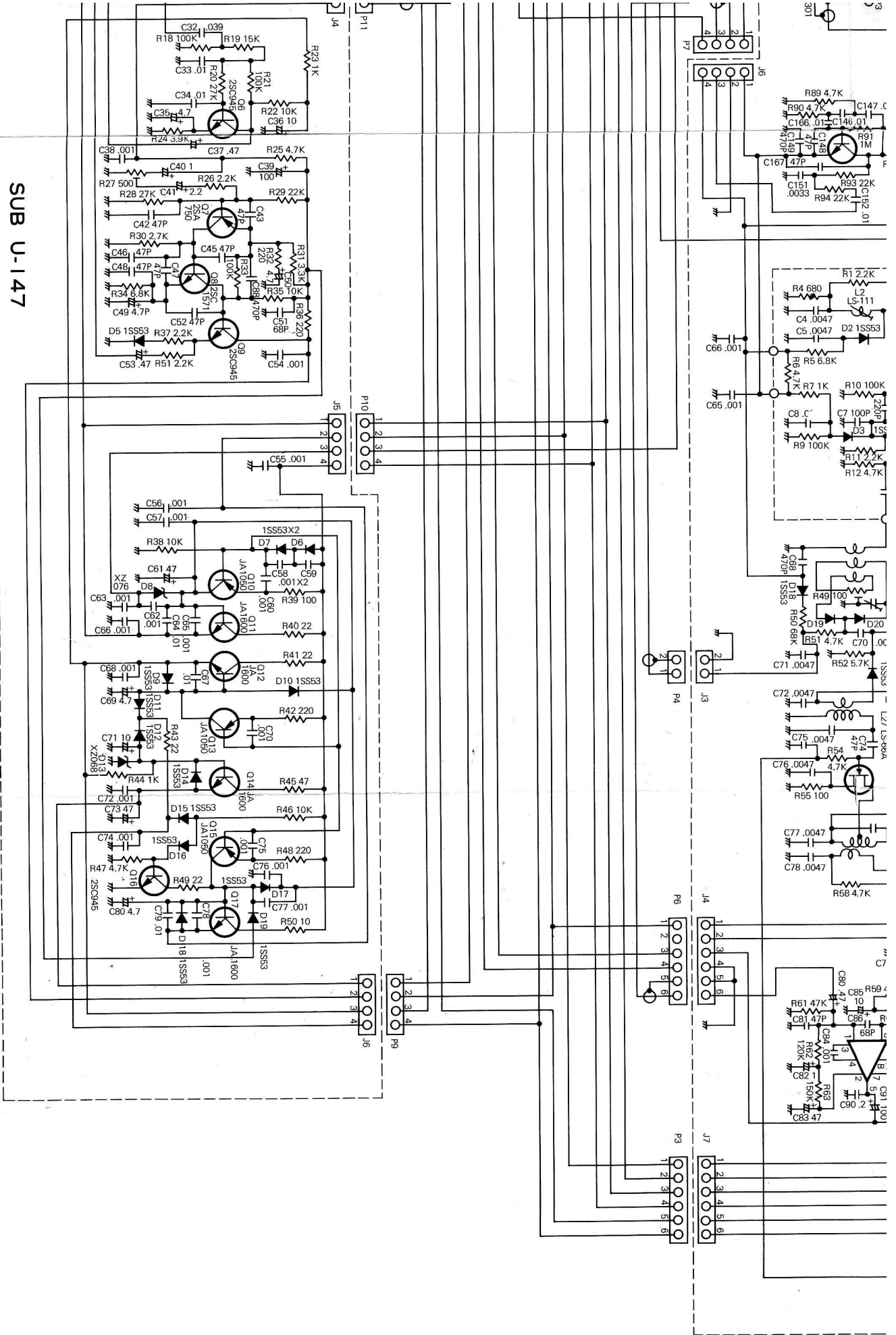


IC-402

SCHEMATIC DIAGRAM





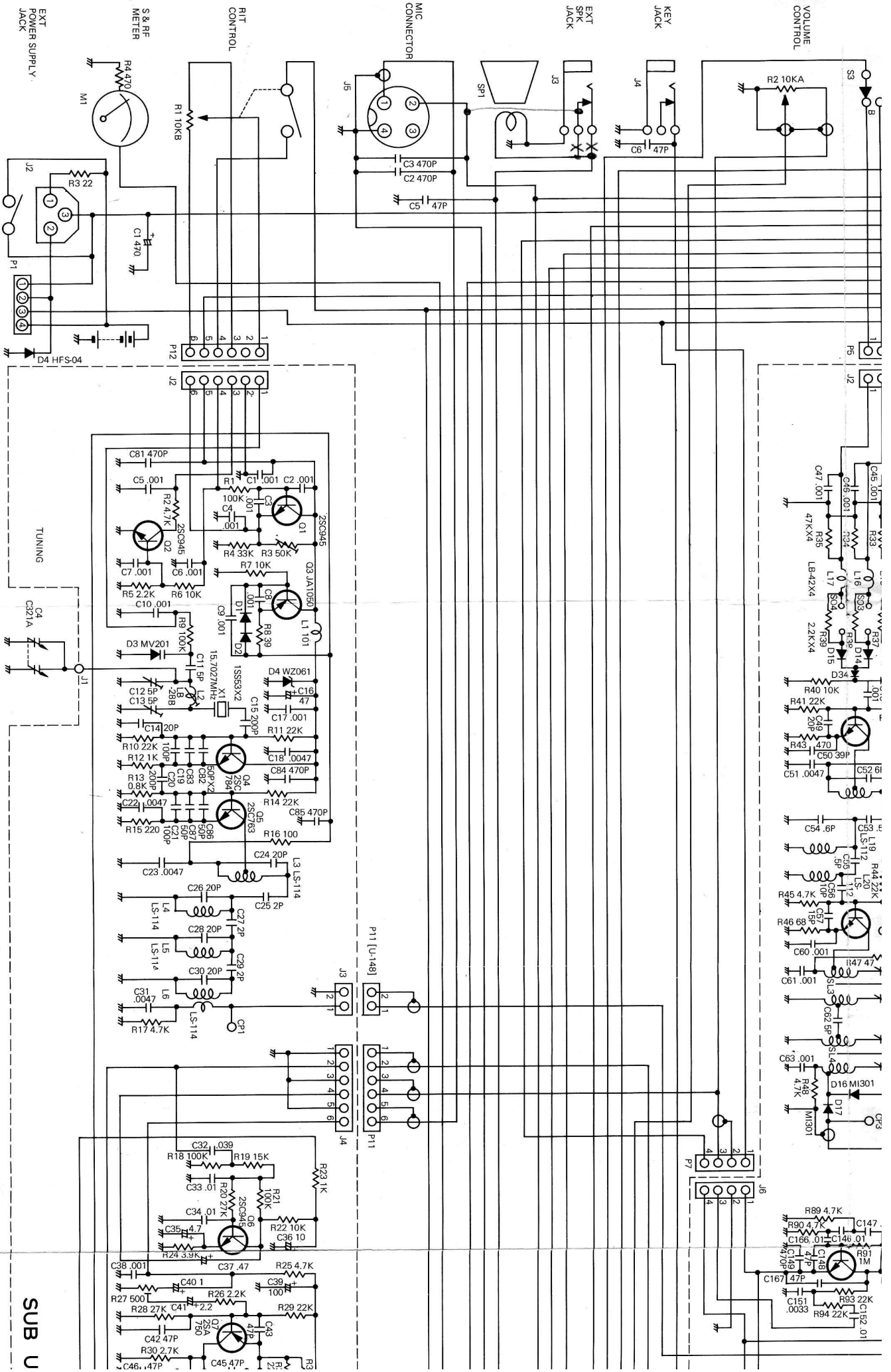
SUB U-147



ICOM

ICOM INCORPORATED

Some components subject to change for an improvement without notice.



SUB U