

VI 6U8 REC MIX

V2 6BZ6
REC RF AMP

V8 6AV6 VOX AMP

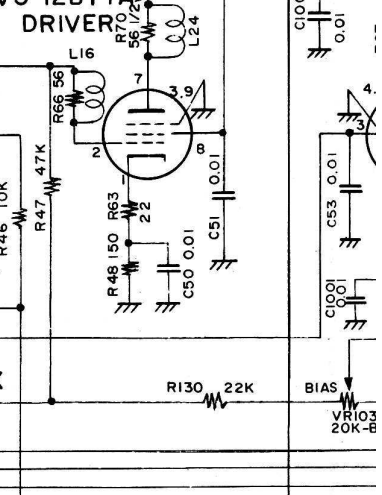
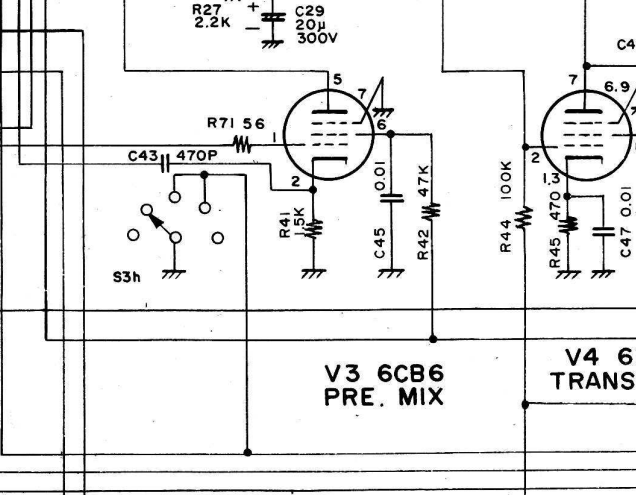
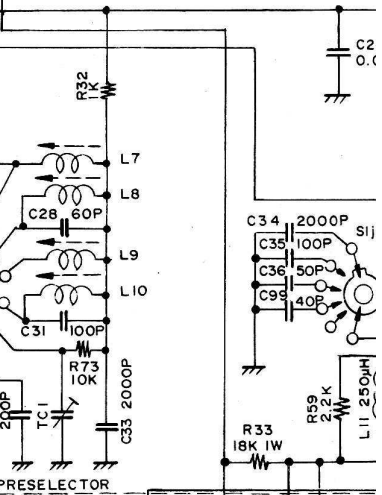
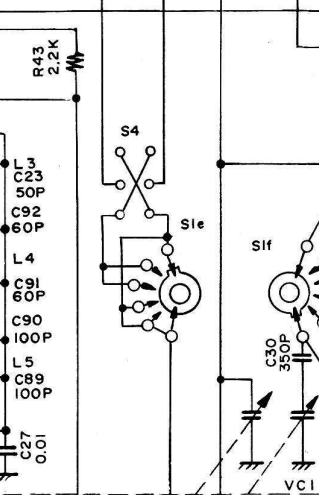
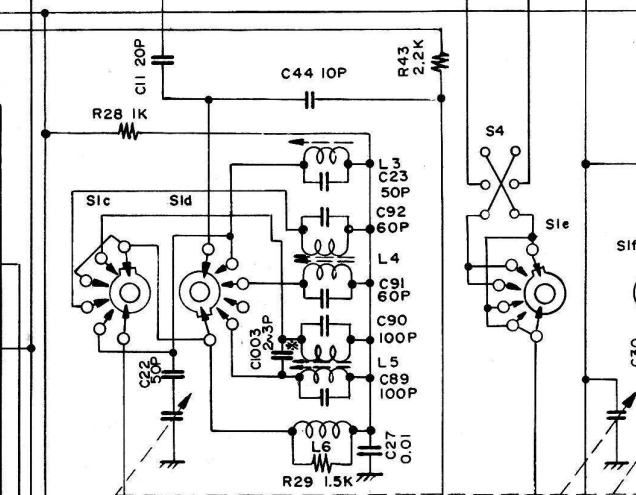
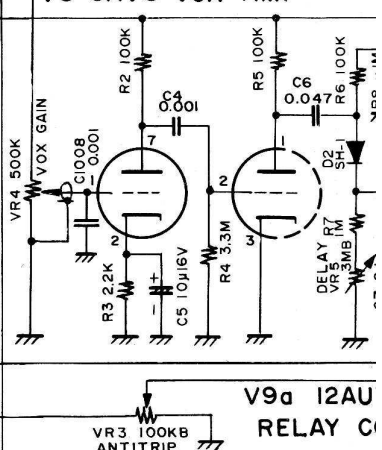
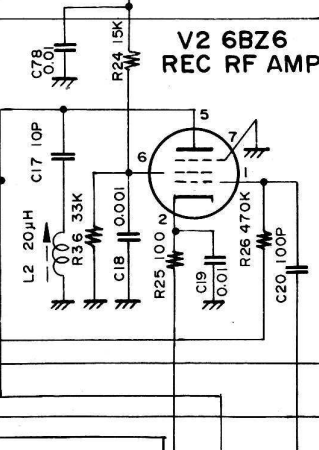
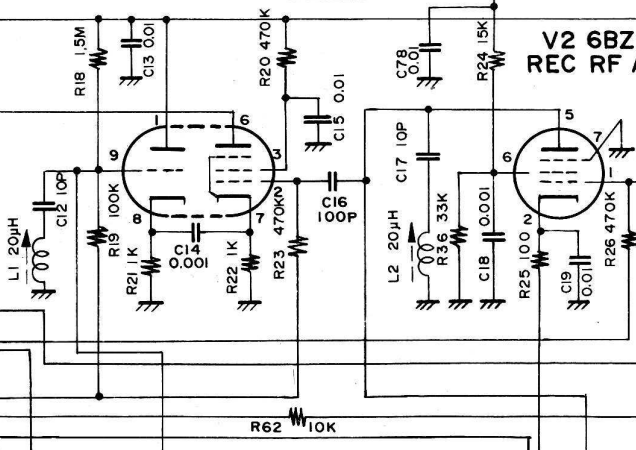
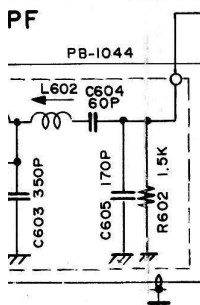
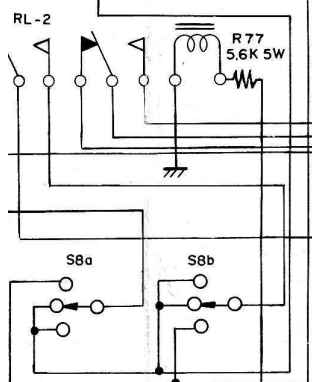
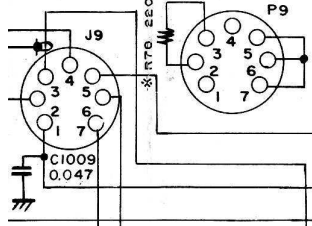
V9a 12AU
RELAY C

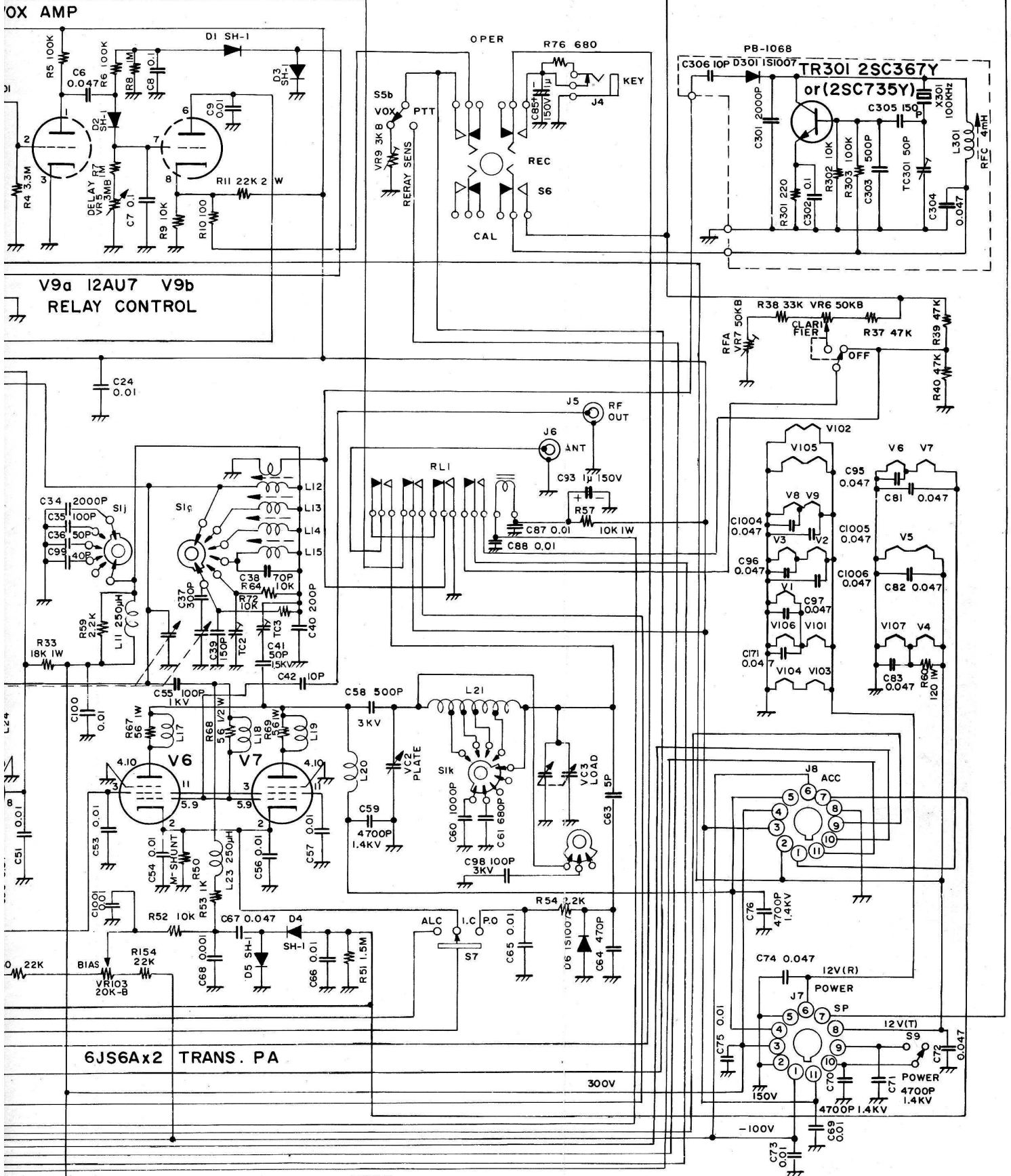
V5 12BY7A
DRIVER

V3 6CB6
PRE MIX

V4 6EJ7
TRANS MIX

6JS6





D1 ~ D5 } SH-1 or 1S1941
 D101 ~ D103 }
 D106 }

- NOTES:
1. ALL RESISTORS IN OHM 1/2W ± 10% UNLESS OTHERWISE NOTED.
 2. ALL CAPACITORS IN μF UNLESS OTHERWISE NOTED.
 3. * VALUE IS NOMINAL.

TEMPO one
 CIRCUIT DIAGRAM